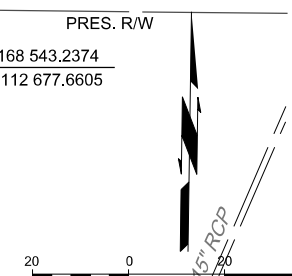
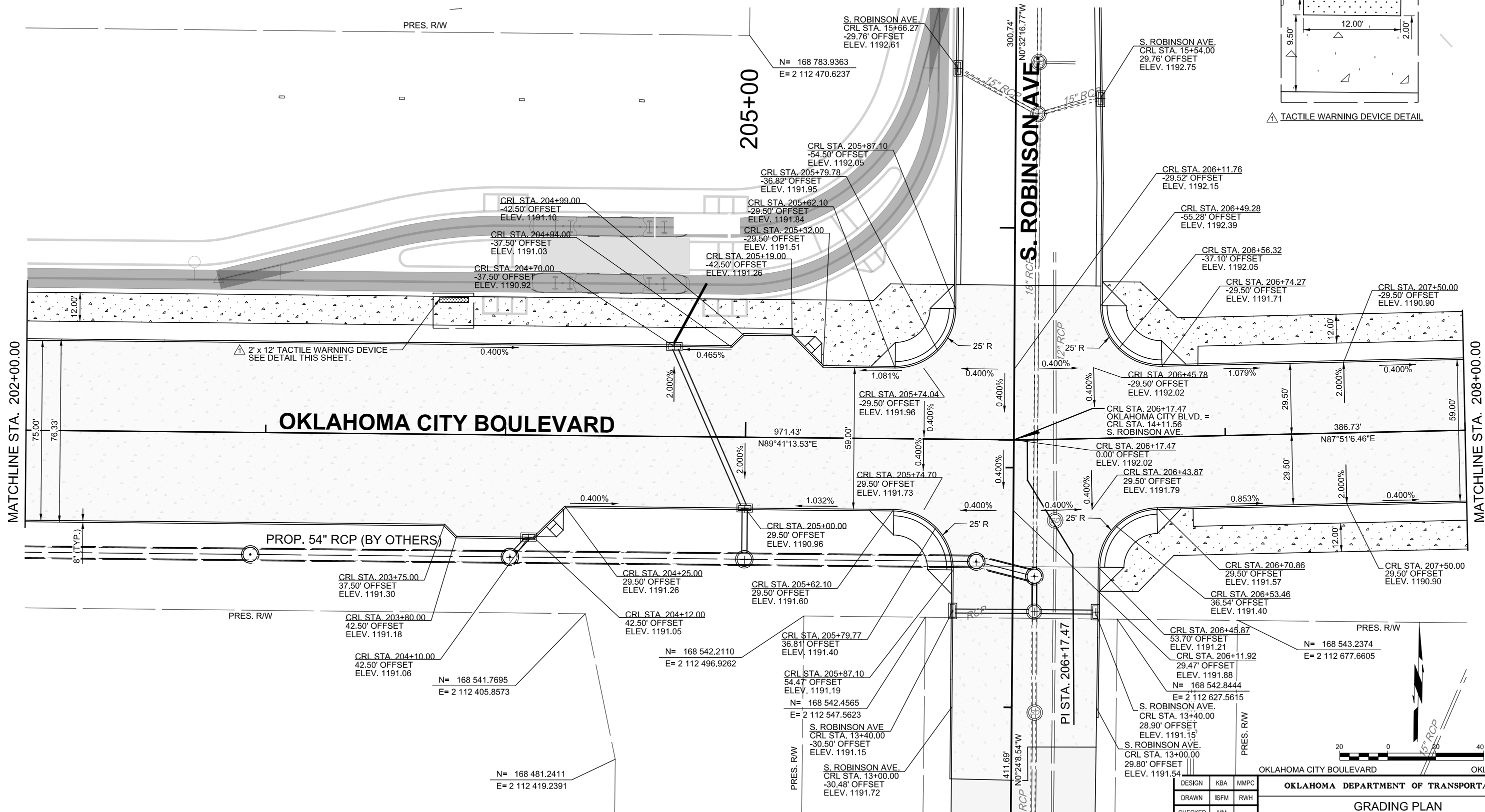
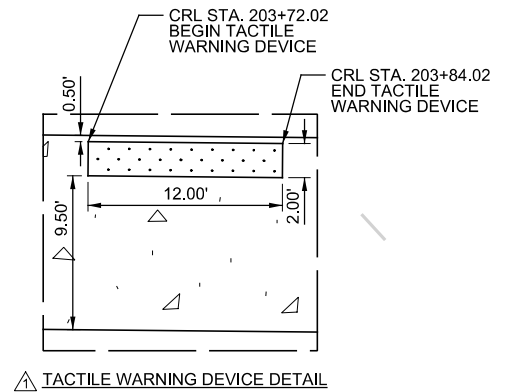


REV. NO.	DESCRIPTION	DATE
1	ADDED TACTILE WARNING DEVICE	11-15-2016



DESIGN	KBA	MMP
DRAWN	ISFM	RWH
CHECKED	MM	
APPROVED		
SQUAD	MacArthur	

OKLAHOMA DEPARTMENT OF TRANSPORTATION
OKLAHOMA CITY BOULEVARD
 GRADING PLAN
 OKLAHOMA CITY BOULEVARD
 SHEET (3 OF 6)
 STATE JOB NO. 17428(89) SHEET NO. 21

PRINT DATE: 11/15/2016 T:\1024\06\Drawings\Roadway\1024-06-Bkd Intersection Dtl 3.dgn